

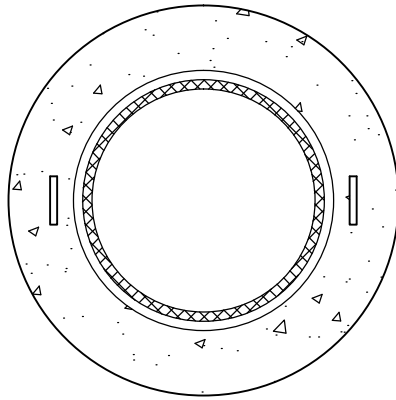
1-800-639-2199

Fax (603) 224-2927

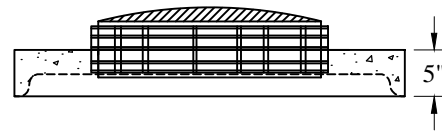
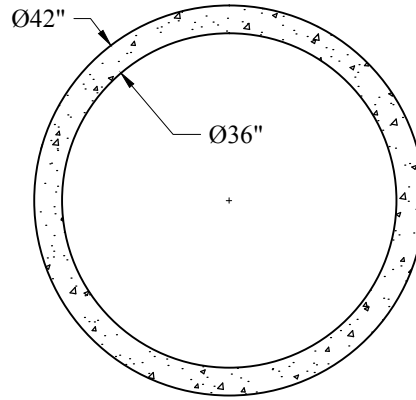
Well Tiles\3ft Dia Well Tile Covers

Phoenix Precast Products

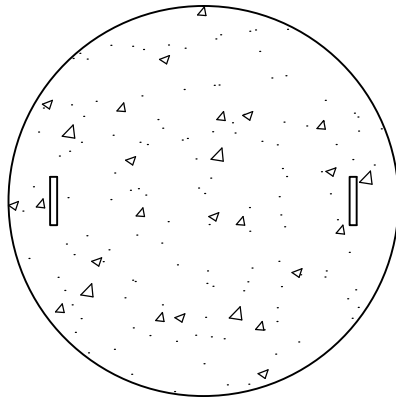
Phoenix Precast Products



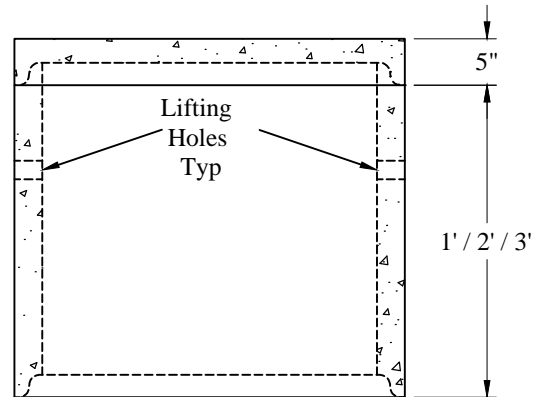
24" Diameter
Plastic Tuff Tite Extension
Cast In



24" Diameter
Plastic Tuff Tite Extension
Cast In



Solid



Cover Style	Weight	P/N:
Solid	475 lbs	WTC-SOLID
24" Dia. Ext.	320 lbs	WTC-34C/LBUTTPLASTIC

General Notes

- 1.) Concrete: $f_c = 4,000$ psi @ 28 Days Minimum
- 2.) Reinforcement Steel Conforms to Latest ASTM Specifications: ASTM A185 Welded Wire Fabric
ASTM A615 Grade 60 Rebar
- 3.) Covers Available With Optional Plug Sizes Or Openings

Phoenix
Precast
Products

3' Diameter
Well Tile Covers